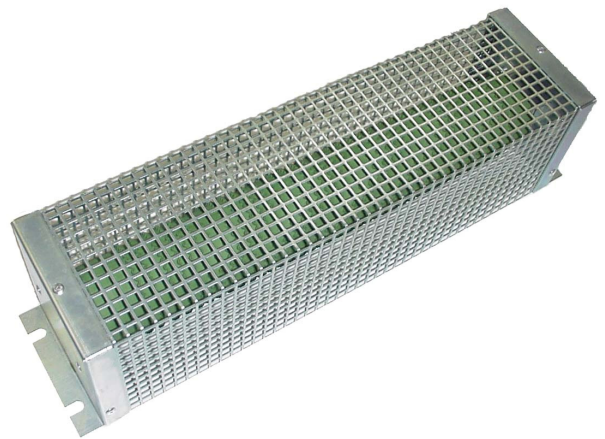
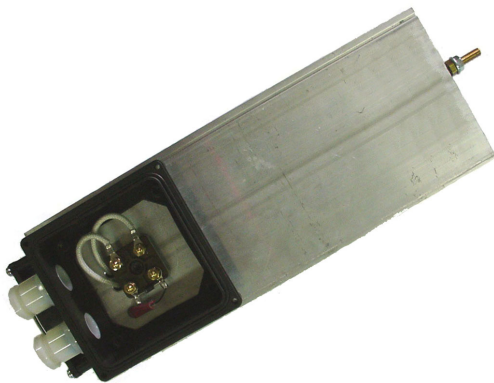




Resistenza di frenatura esterna *External braking resistor*

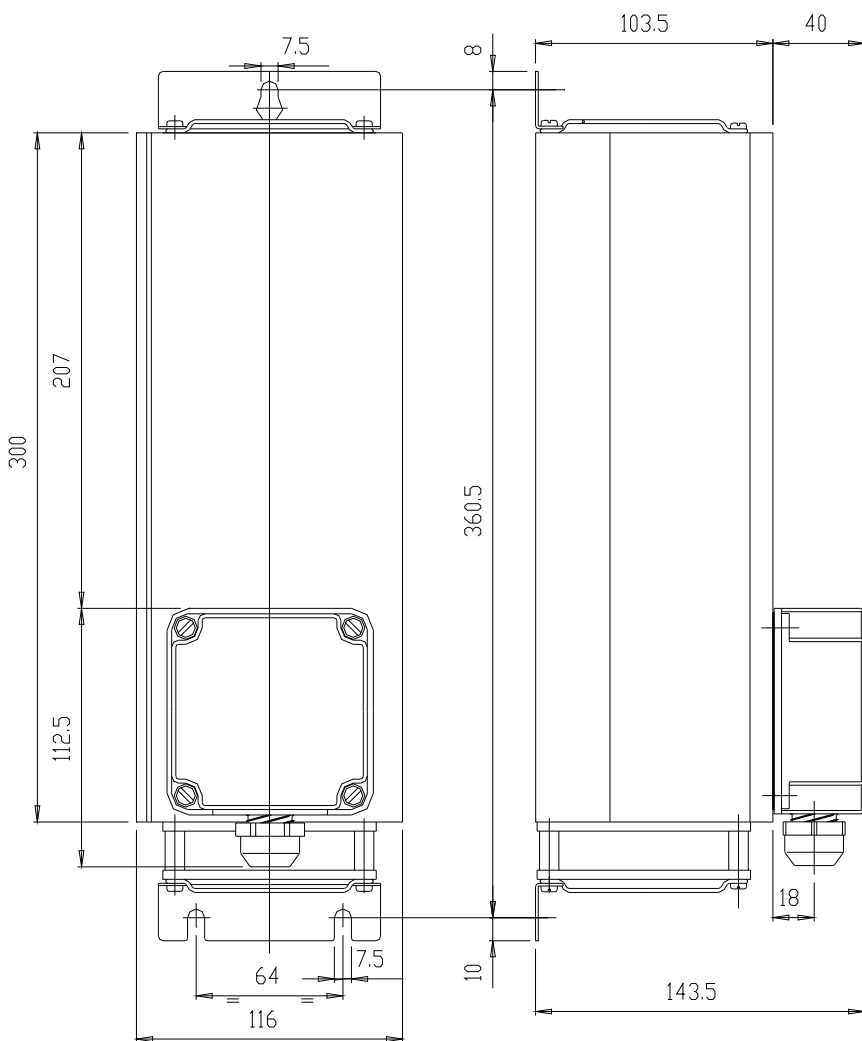
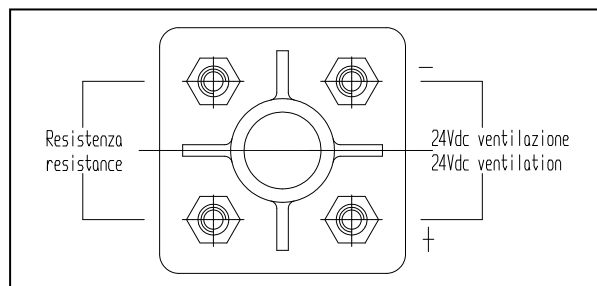
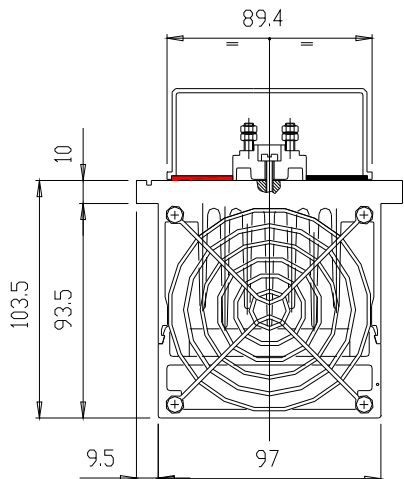
RFE – RMT
Manuale utente
User's manual



Rev. 0.1
Febbraio 2010
February 2010

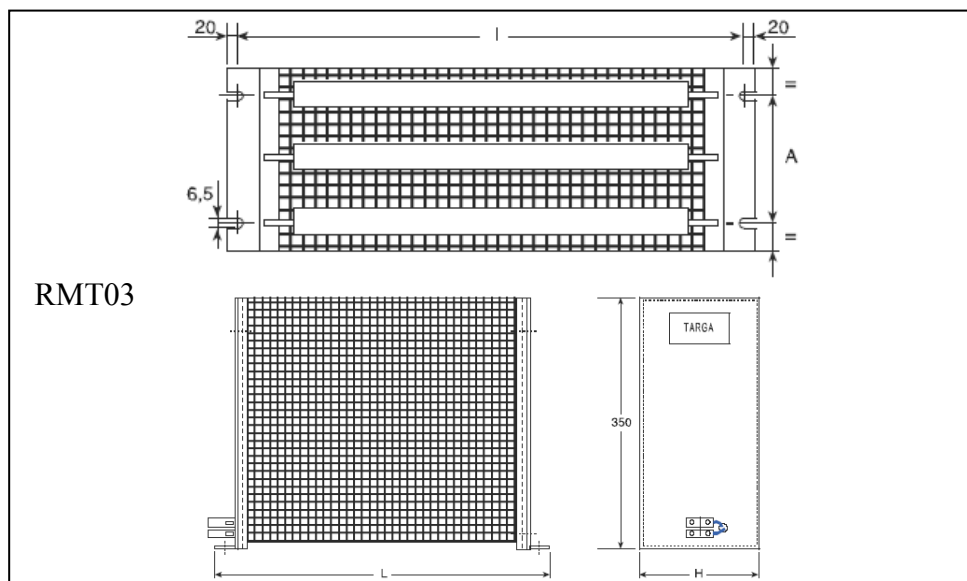
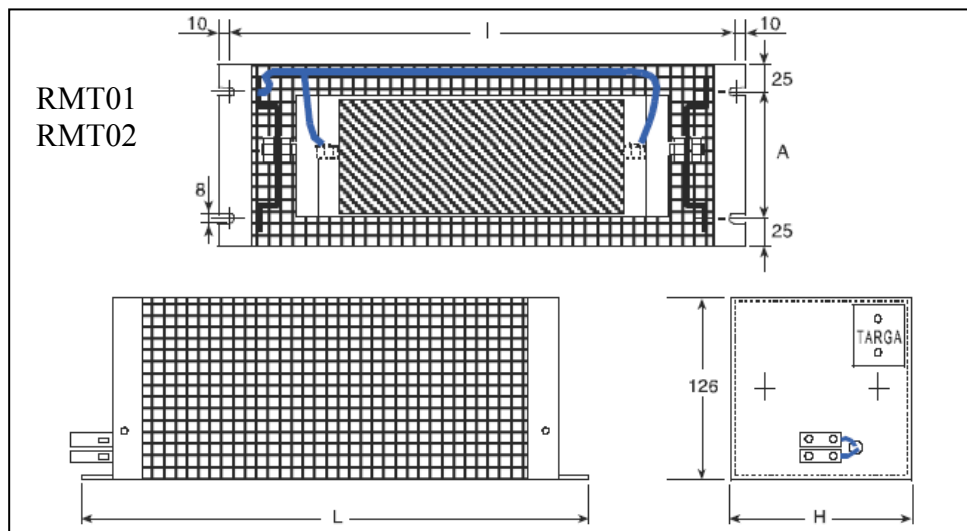
CARATTERISTICHE TECNICHE RFE – Technical specifications RFE

Modello – Model	RFE		
	RFE1	RFE2	RFE3
Codice SBC – SBC code			
Valore resistivo – Resistive value	40Ω	27Ω	13Ω
Potenza dissipabile – Power dissipated	1000W		
Grado di protezione – Protection degree	IP20		
Rigidità dielettrica – Dielectric rigidity	4000V _{eff}		
Costante di tempo – Time constant	≈ 15'		
Temperatura max superficie – Max surface temperature	420°C		
Peso – Weight	2,5 kg		
Alimentazione ventilazione – Fan supply voltage	24Vdc		



CARATTERISTICHE TECNICHE RMT – Technical specifications RMT

Modello – Model		RMT											
Codice SBC – SBC code		RMT01M900 (+ A)				RMT02M1k8 (+ A)				RMT03M2k7 (+ A)			
Valore resistivo [Ω] Resistive value [Ω]	(A)	13	27	40	75	13	27	40	75	13	27	40	75
Potenza dissipabile – Power dissipated		900W				1800W				2700W			
Grado di protezione – Protection degree		IP20				IP20				IP20			
Rigidità dielettrica – Dielectric rigidity		3000V _{eff}				3000V _{eff}				2500V _{eff}			
Costante di tempo – Time constant		≈ 10'				≈ 15'				-			
Temp. max superficie – Max surface temp.		200°C				200°C				220°C			
Peso – Weight		3 kg				3 kg				4 kg			



DIMENSIONI – DIMENSIONS			
	RMT01M	RMT02M	RMT03M
L	495	495	550
I	475	475	510
H	120	190	180
A	70	140	110

Tutte le dimensioni sono in mm; 1 inch= 25,4mm – All dimensions in mm; 1 inch = 25.4mm

Modifiche ai dati del manuale possono essere eseguite a discrezione del costruttore senza preavviso. I dati riportati nel manuale corrispondono alle specifiche relative alla data della revisione. – Arranges to the manual data can be made by the manufacturer without advance notice. The data shown in the manual correspond to the specifications relating to the revision date.

Cod 1002041400

Sales Offices

Australia

Parker Hannifin
Pty Ltd
9 Carrington Road
Private Bag 4, Castle Hill
NSW 1765
Tel: +61 2 9634 7777
Fax: +61 2 9899 6184

Belgium

Parker Hannifin SA NV
Parc Industriel Sud Zone 11
23, Rue du Bosquet
Nivelles B -1400 Belgium
Tel: +32 67 280 900
Fax: +32 67 280 999

Brasil

Parker Hannifin Ind. e Com. Ltda.
Av. Lucas Nogueira Garcez, 2181
Esperança - Caixa Postal 148
Tel: +55 0800 7275374
Fax: +55 12 3954 5262

Canada

Parker Motion and Control
160 Chisholm Drive
Milton
Ontario L9T 3G9
Tel: +1(905) 693 3000
Fax: +1(905) 876 1958

China

Parker Hannifin Motion & Control
(Shanghai)
Co. Ltd.
SSD Drives
280 Yunqiao Road
Export Processing Zone
Pudong District
Shanghai 201206
P.R.China
Tel: +86 (21) 5031 2525
Fax: +86 (21) 5854 7599

France

Parker SSD Parvex
8 Avenue du Lac
B.P. 249
F-21007 Dijon Cedex
Tel: +33 (0) 3 80 42 41 40
Fax: +33 (0) 3 80 42 41 23

Germany

Parker Hannifin GmbH
Von-Humboldt-Strasse 10
64646 Heppenheim
Germany
Tel: +49(0) 6252 798200
Fax: +49(0) 6252 798205

India

SSD Drives India Pvt Ltd
151 Developed Plots Estate
Perungudi,
Chennai, 600 096, India
Tel: +91 44 43910799
Fax: +91 44 43910700

Italy

Parker Hannifin SPA
Via Gounod 1
20092 Cinisello Balsamo
Milano
Italy
Tel: +39 (02) 361081
Fax: +39 (02) 36108400

Singapore

Parker Hannifin Singapore Pte Ltd
11, Fourth Chin Bee Rd
Singapore 619702
Tel: +65 6887 6300
Fax: +65 6265 5125

Spain

Parker Hannifin (Espana) S.A.
Parque Industrial Las Monjas
Calle de las Estaciones 8
28850 Torrejonde Ardoz
Madrid
Spain
Tel: +34 91 6757300
Fax: +34 91 6757711

Sweden

Parker Hannifin AB
Montörgatan 7
SE-302 60 Halmstad
Sweden
Tel: +46 (35) 177300
Fax: +46 (35) 108407

UK

Parker Hannifin Ltd.
Tachbrook Park Drive
Tachbrook Park
Warwick
CV34 6TU
Tel: +44 (0) 1926 317970
Fax: +44 (0) 1926 317980

USA

Parker Hannifin Corp.
SSD Drives Division
9225 Forsyth Park Drive
Charlotte
North Carolina 28273-3884
Tel: +1 (704) 588 3246
Fax: +1 (704) 588-3249

Your local authorized Parker distributor

© 2009 Parker Hannifin Corporation. All rights reserved



Parker Hannifin SpA SSD SBC

Via C. Gounod, 1
20092 Cinisello Balsamo (Mi)
Tel: +39 02 36108.1
Fax: +39 02 36108400
www.parker.com
info.it.ssd@parker.com
infosbc@parker.com