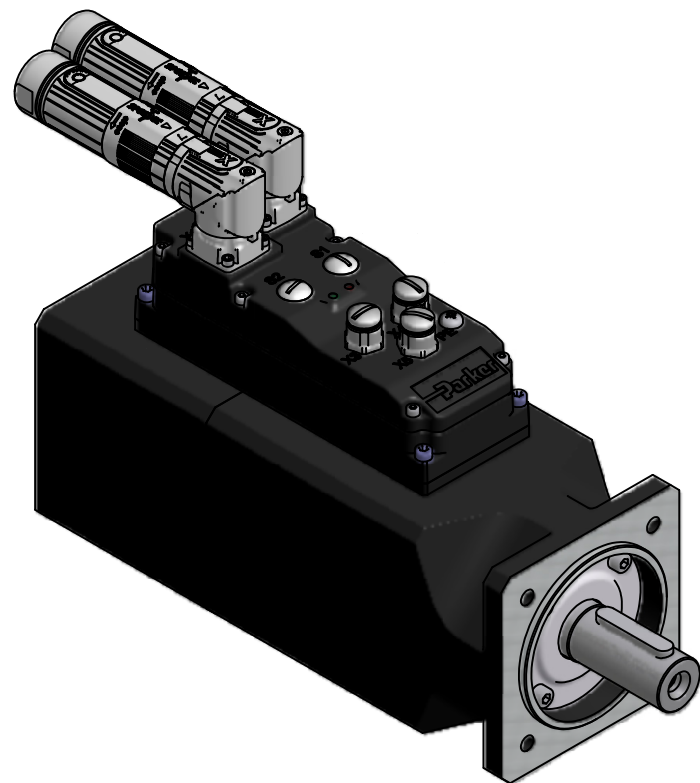
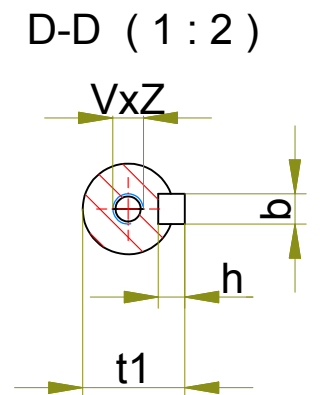
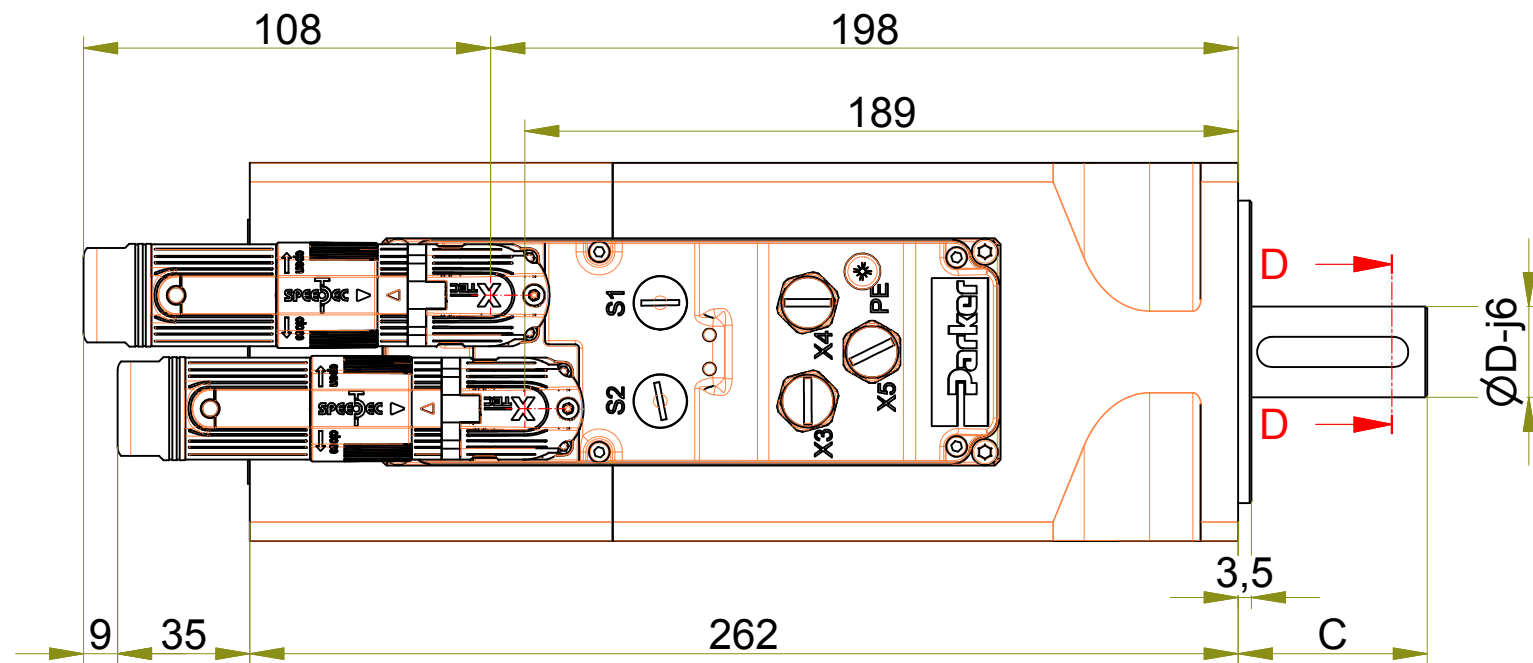
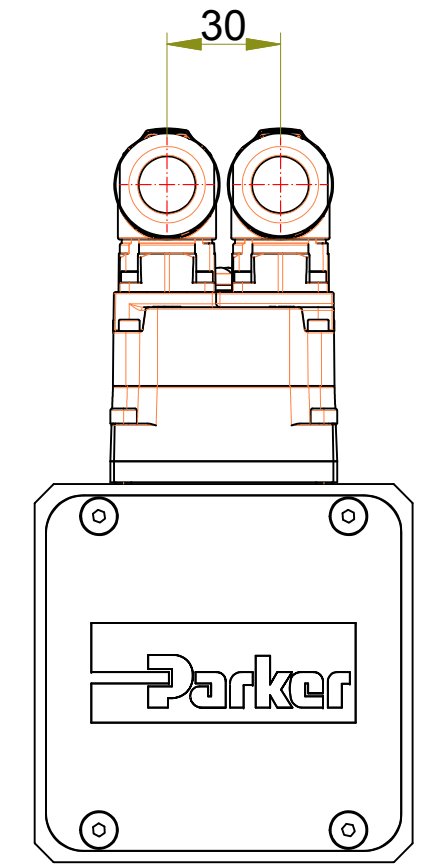
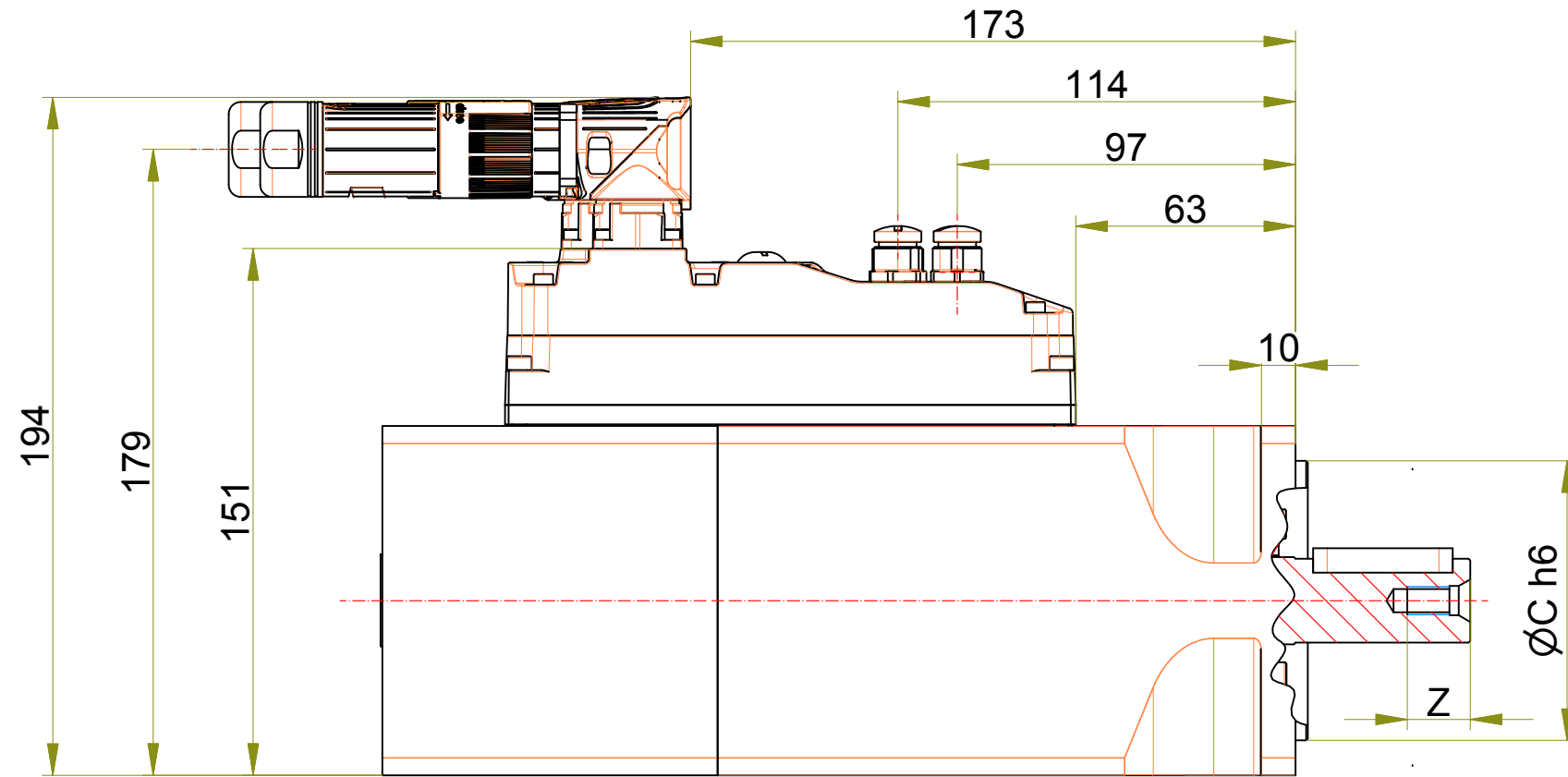
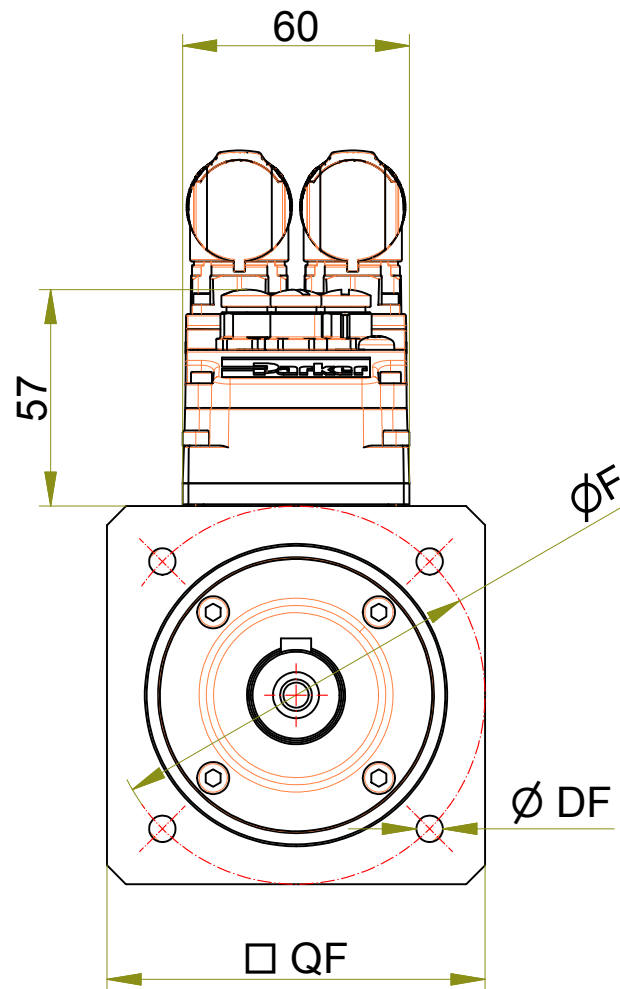


# MDC100 Dimension



Hollow shaft available, max internal diameter 12 mm

Flange Dimension					
pos	QF	DF	F	C	Order code
0	100	9	100	80	8
1	100	9	115	95	5

Shaft dimension				
pos.	CxD	bxh	t1	VxZ
1	40x19	6x6	21.5	M6x16
2	50x24	8x7	27	M8x19

**Parker**

Scale/Scala: --  
Date/Data: 22/04/2009  
Drawn/Disegnato: P.Faverzani  
Checked date/Controllato il: 24/03/2010  
Checked by/Controllato da: P.Faverzani

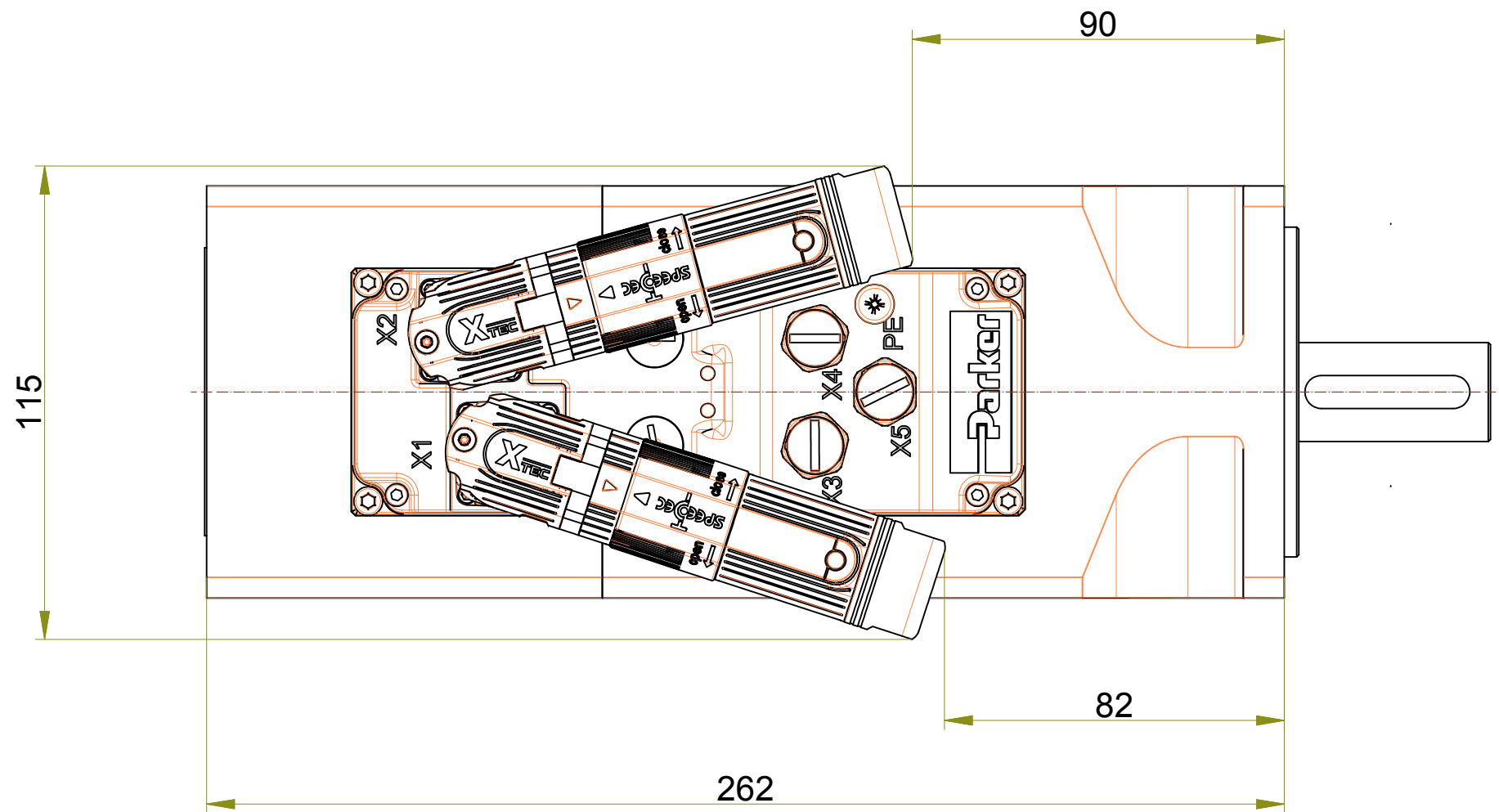
Parker Hannifin SpA  
SSD SBC  
Via Gounod, 1  
20092 Cinisello Balsamo (MI)  
ITALY  
Tel +39 02 361081  
Fax +39 02 36108400  
ISO 9001 : 2000 Certified

Material/Materiale: --  
Treatment/Trattamento: --  
Description/Descrizione: **Assembly**  
Used in/Usato in: **MDC100**

General tolerances - UNI EN 22768 - fK  
**ANGOLAR**  
0.5+3 ±0.1  
>3+6 ±0.1  
>6+30 ±0.2  
>30+120 ±0.3  
>120+400 ±0.5  
>400+1000 ±0.8

Code/Codice acq.		Part number/N° disegno		Revision/Revisione	
--		<b>QIMDC100</b>		<b>01</b>	
Sheet : 1 / 2		Notes: --			
Link: H:\MDC (Motomet DC)\100\QI\QIMDC100.idw					

REV. 01	--	--	--	--
Rev. number	Mod.	Description	Date	Modified



		Parker Hannifin SpA SSD SBC Via Gounod, 1 20092 Cinisello Balsamo (MI) ITALY Tel +39 02 361081 Fax +39 02 36108400 ISO 9001 : 2000 Certified		Material/Materiale	Ricavare da : --	
		Scale/Scala: -- Date/Data: 22/04/2009 Drawn/Disegnato: P.Faverzani Checked date/Controllato il: 24/03/2010 Checked by/Controllato da: P.Faverzani		Treatment/Trattamento: --	Description/Descrizione: Assembly	
General tolerances - <b>LINEAR</b> 0.5+3 ±0.1 >3+6 ±0.1 >6+30 ±0.2 >30+120 ±0.3 >120+400 ±0.5 >400+1000 ±0.8		<b>UNI EN 22768 - fK</b> <b>ANGOLAR</b> 10 ±1° >10+50±0°,30' >50+120±0°,20' >120+400±0°,10' >400+1000±0°,05'		Used in/Usato in: MDC100	Code/Codice acq.: --	Part number/N° disegno: QIMDC100
REV. 01 Rev. number		-- Mod.		-- Description		-- Date
-- Modified		-- Description		-- Date		-- Revision/Revisione: 01
Sheet : 2 / 2		Notes: --		Link: H:\MDC (Motomet DC)\100\QI\QIMDC100.idw		

La Parker S.B.C. si riserva a termini di legge la proprietà di questo documento con divieto di riprodurlo o comunicarlo a terzi senza autorizzazione scritta / This drawing is a proprietary document and shall not be reproduced or released to others except that otherwise written through authorization by Parker S.B.C.